





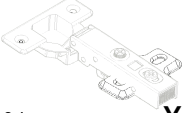

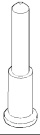
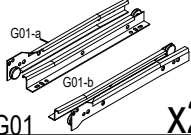
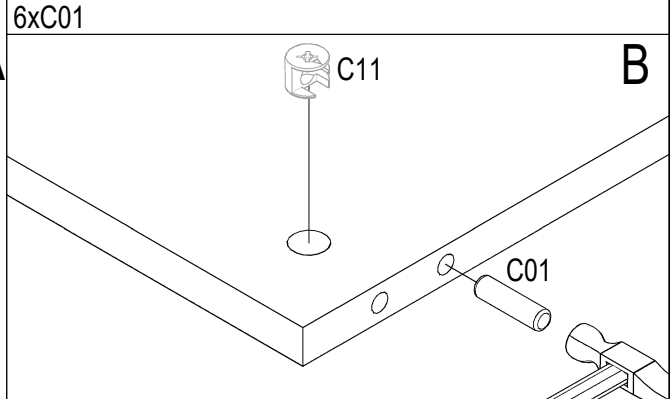
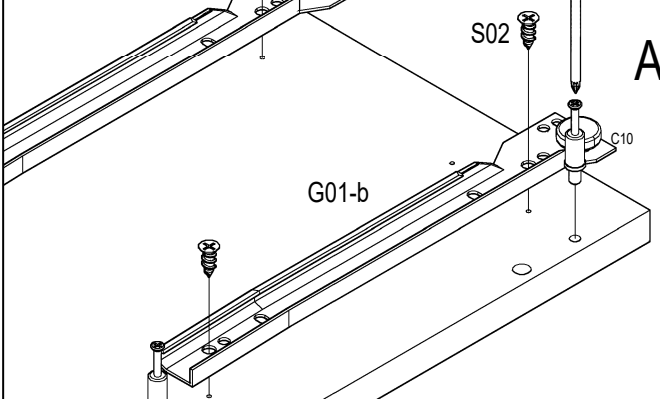
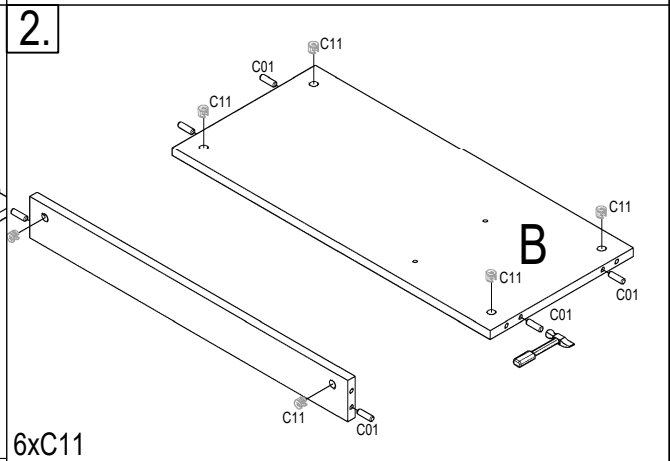
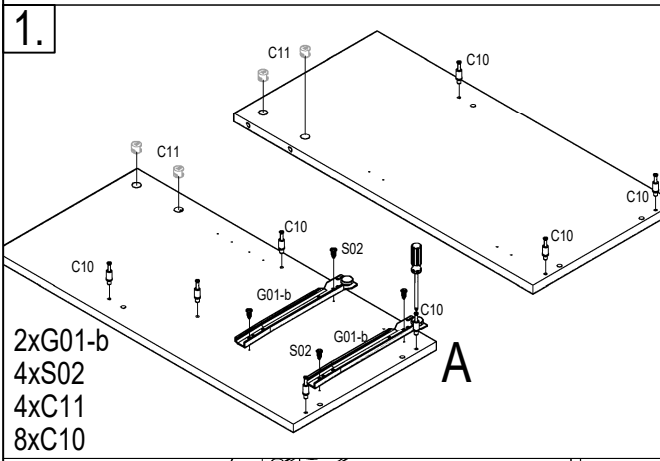
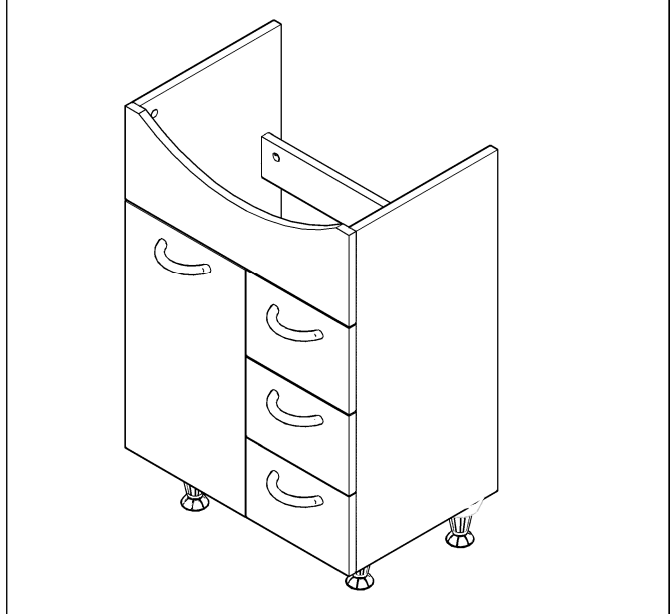
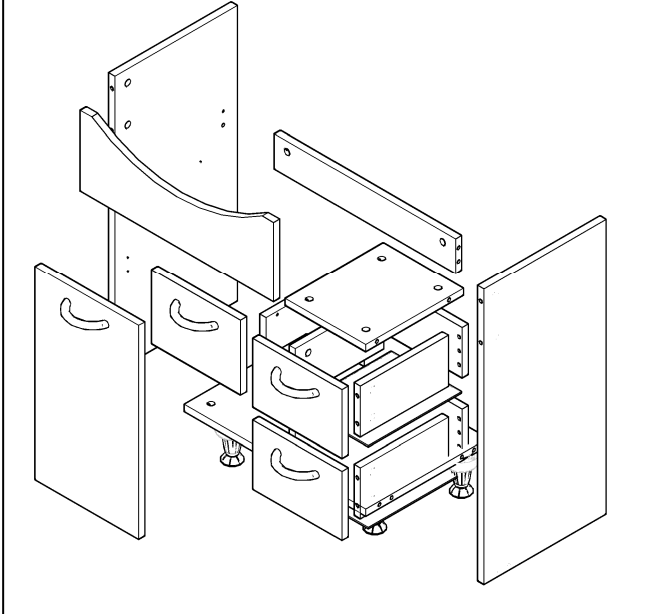
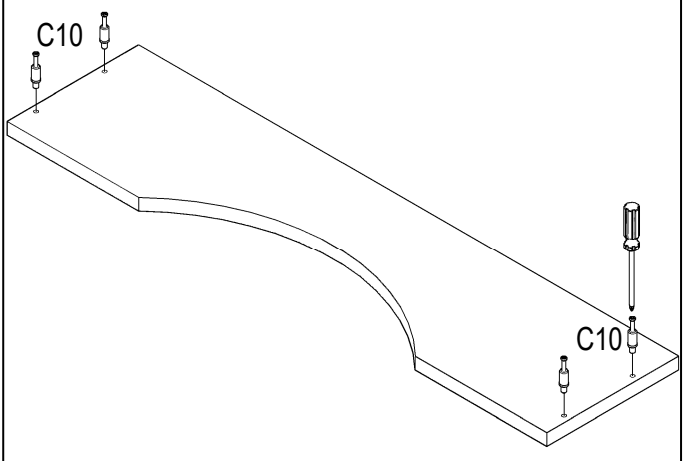


NR.25

 3.5x16 S02 x52	 M4x22 S11 x8	 C01 x14	 C10 x22	 C11 x22	 P01 x4
 B01 x4	 M01 x4	 S01 x6	 G01 x2		

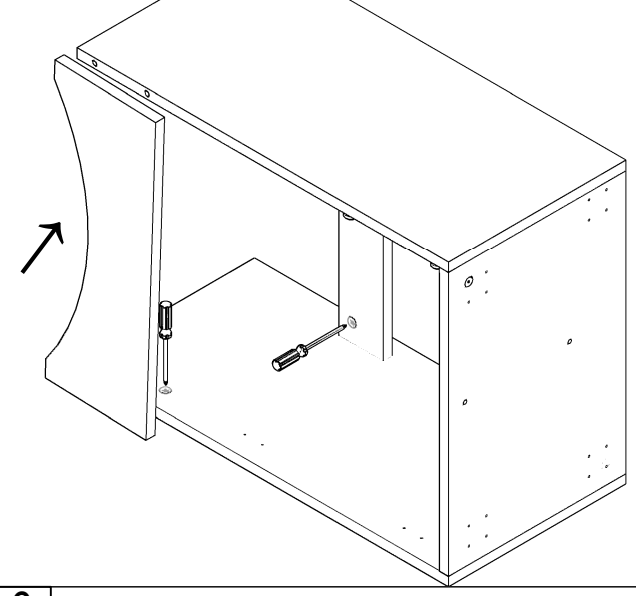


3.

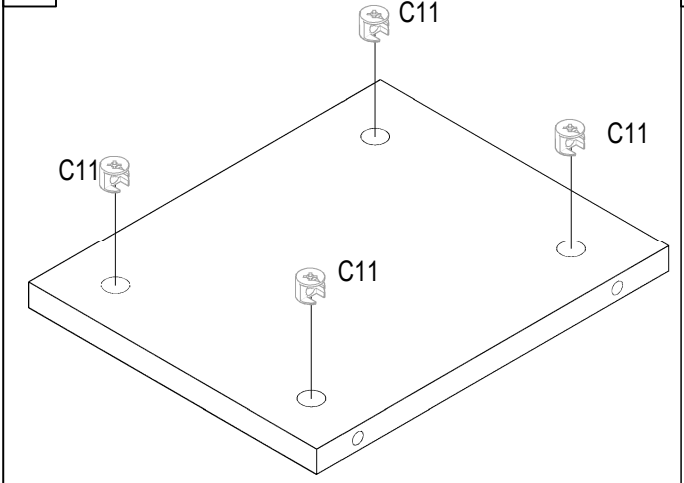


4xC10

4.

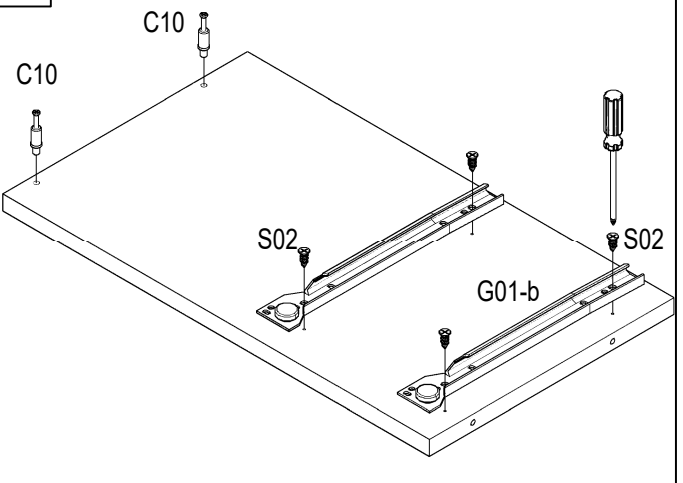


5.



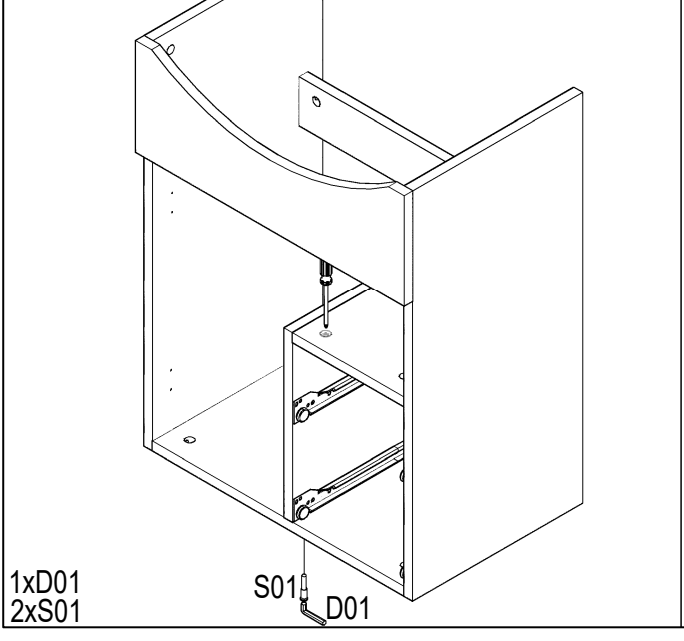
4xC11

6.



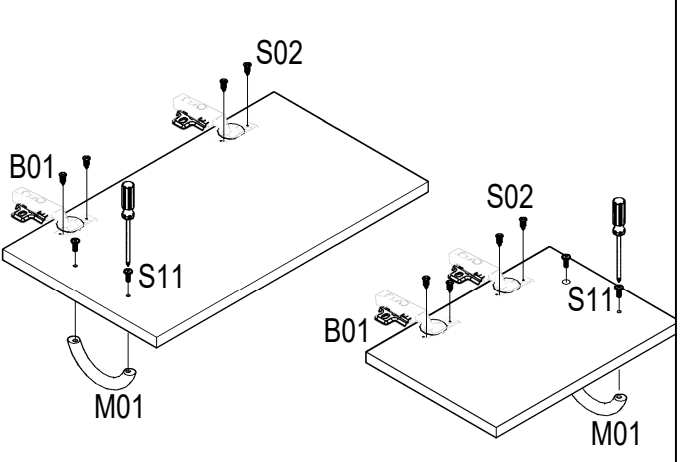
2xC10
2xG01-b
4xS02

7.



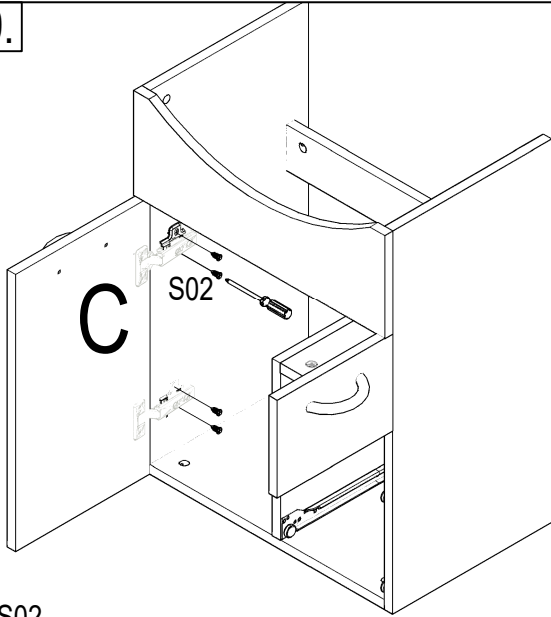
1xD01
2xS01

8.

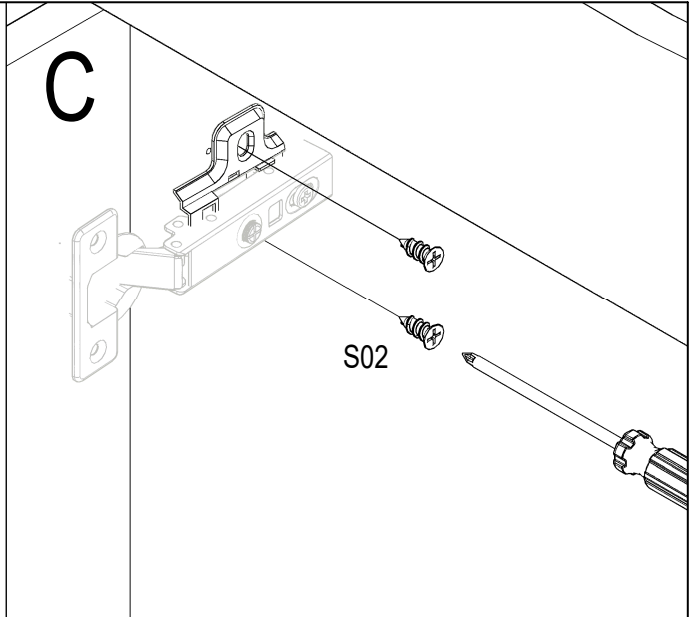


2xM01
4xS11
8xS02
4xB01

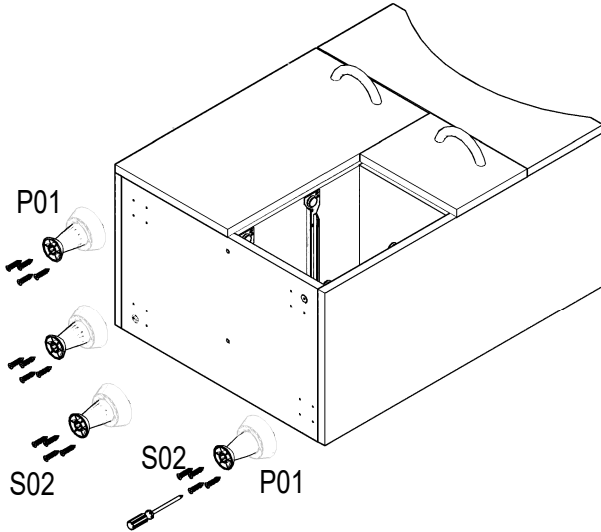
9.



8xS02



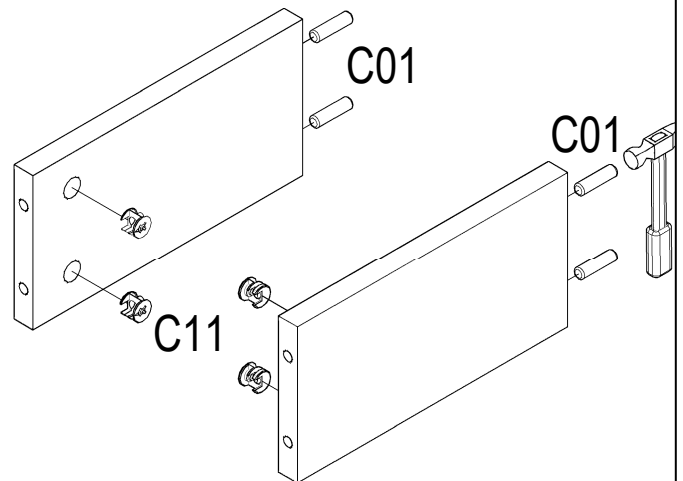
10



16xS02
4xP01

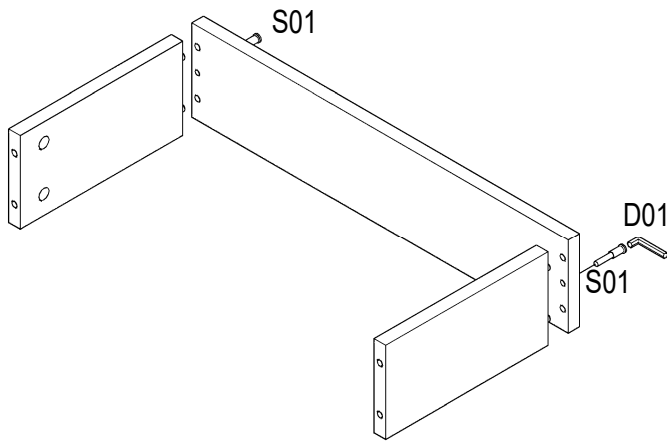
11

X 2



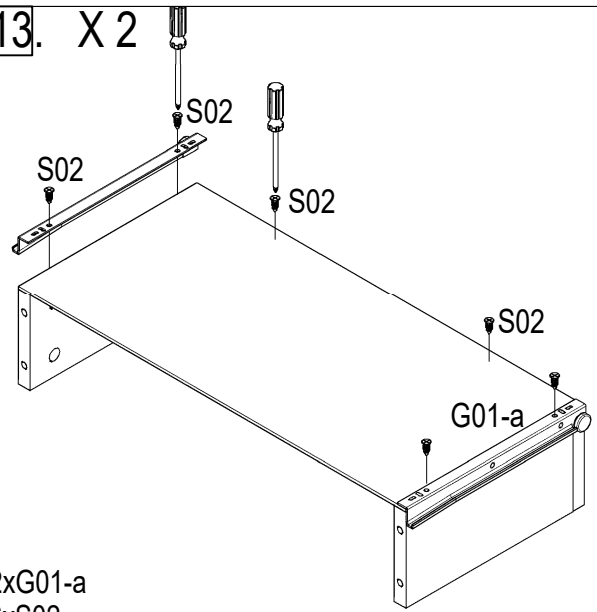
4xC11
4xC01

12. X 2



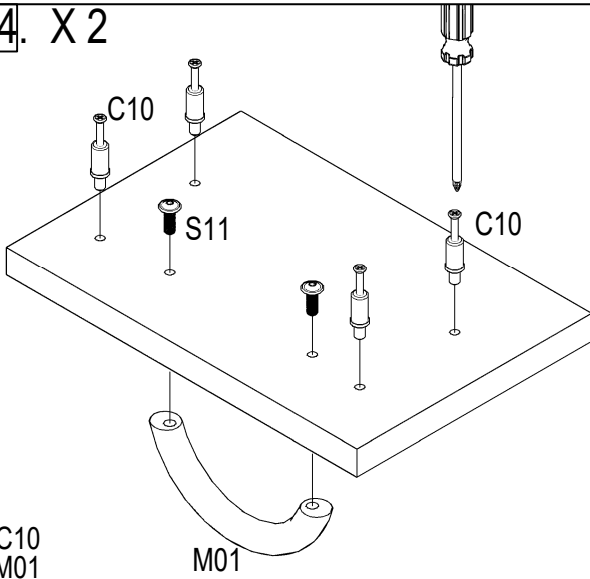
1xD01
2xS01

13. X 2



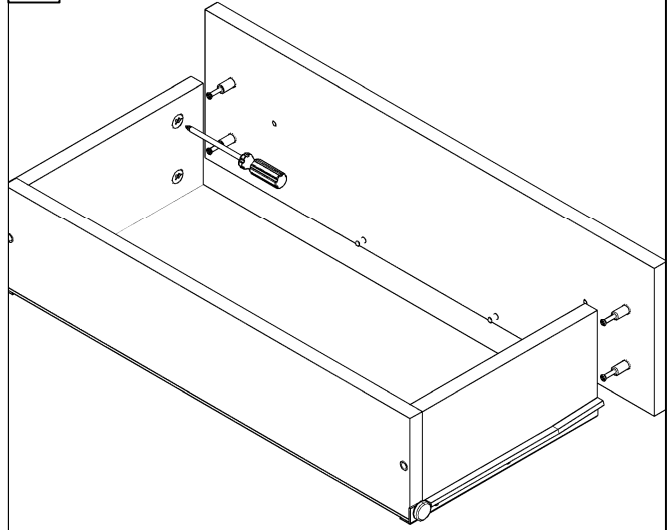
2xG01-a
6xS02

14. X 2



4xC10
1xM01
2xS11

15. X 2



16

